

User Instructions

Wireless Vibration Headset XT+

For use with
PS4™, PS3™, Xbox One®, Xbox 360®, PC and Mac®



Venom Ltd. Solution House, Sandon Road,
Therfield, Hertfordshire SG8 9RE.

www.venomuk.com

Venom is a trademark of Venom Ltd.

 **Venom UK Gaming**

 **@VenomGamingUK**

 **Venom UK Gaming**

Please Recycle



www.venomuk.com

Fig.1 PS3™ via Optical

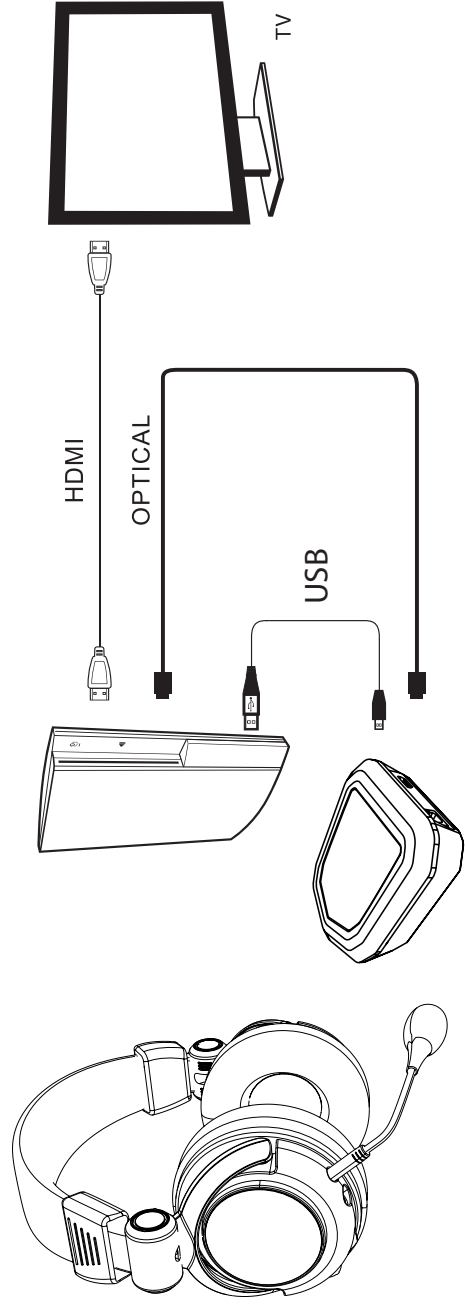


Fig.2 PS4™ via Optical

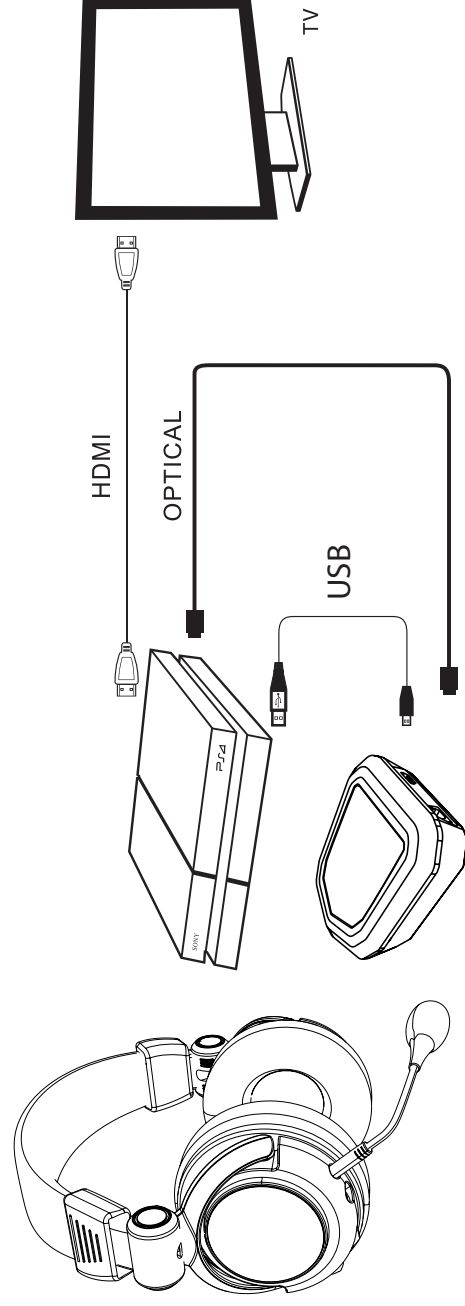


Fig.3 XBOX 360® via Optical

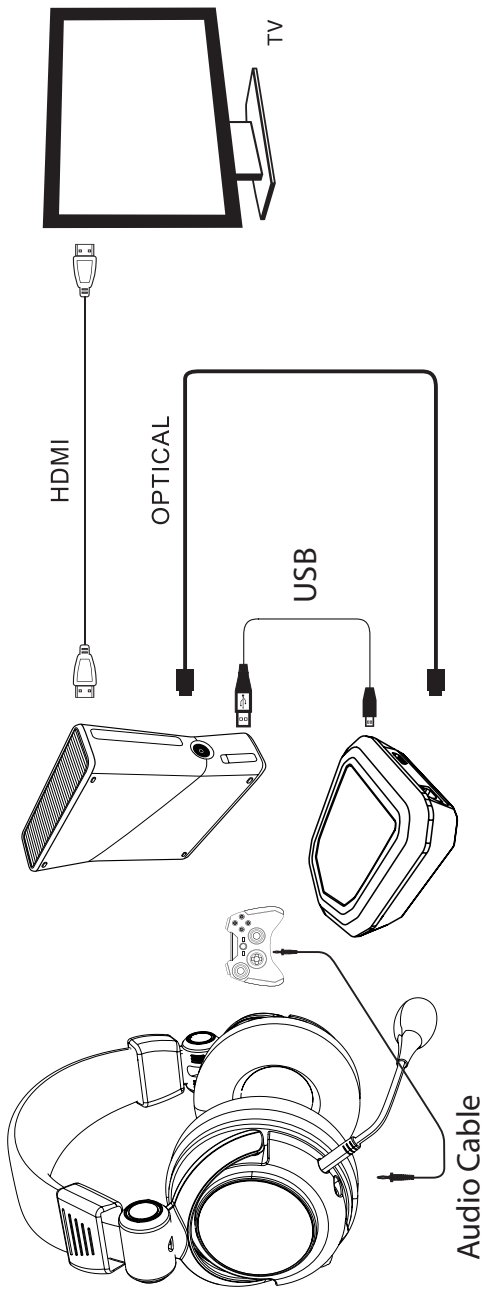


Fig.4 XBOX One® via Optical

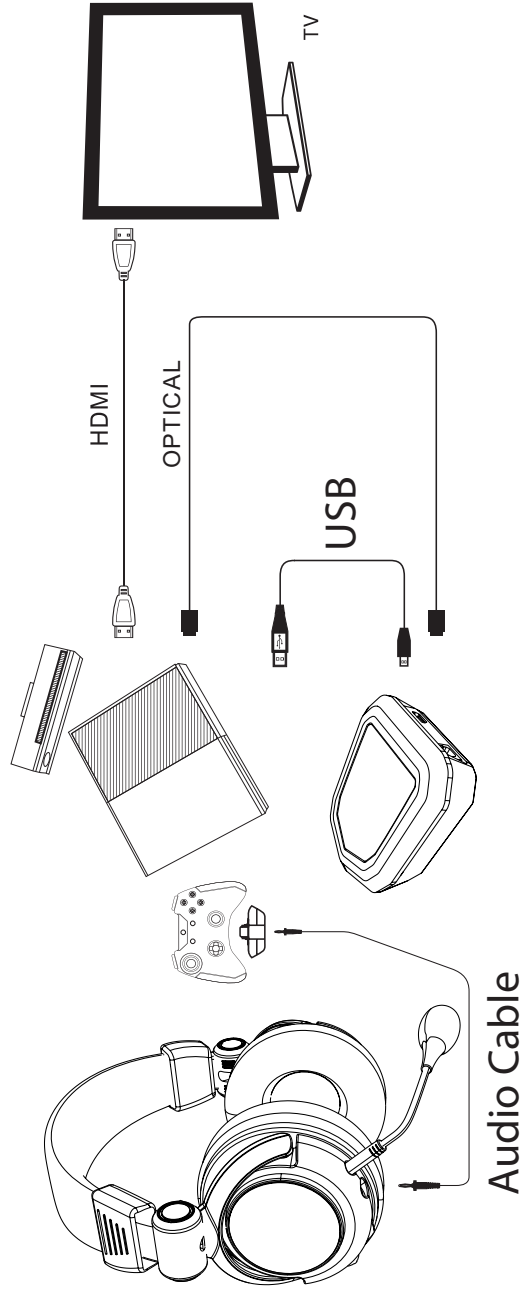
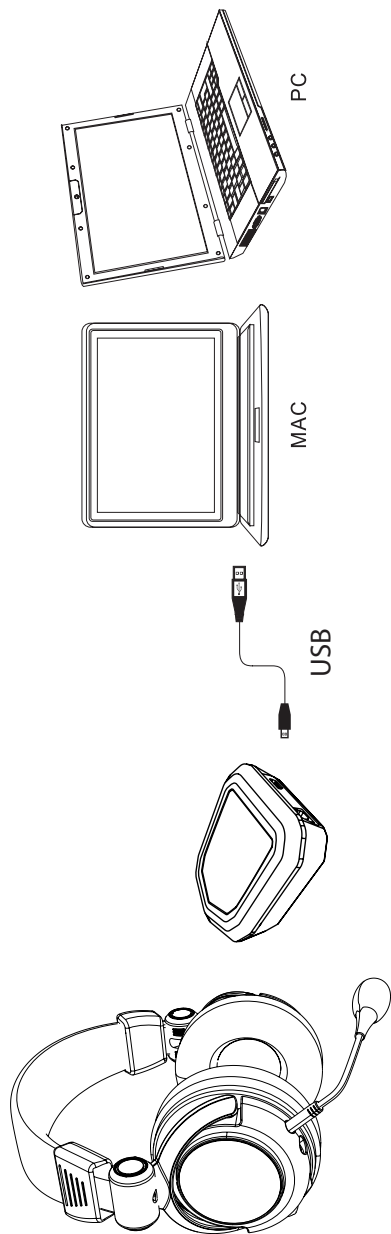


Fig.5 PC/Mac



English

Wireless Vibration Headset XT+

For use with PS4™, PS3™, Xbox One®, Xbox 360®, PC & Mac®

Model number: VS2854

User Guide

Thank you for purchasing the **Wireless Vibration Headset XT+**.

Please read this user guide thoroughly before using the Wireless Vibration Headset XT+ and keep the guide safe for further reference. This guide includes the most common set ups for using the Wireless Vibration Headset XT+ with your PS3, PS4, Xbox 360 or Xbox One system via optical. If you require any more help please contact our helpline. Thank you and enjoy!

Important:

If you have any compatibility problems please initially visit our website to ensure you have the most up to date drivers. If the problem persists then please contact our customer service team.

Contents

- 1 x Wireless Vibration Headset XT+
- 1 x Wireless Transmitter
- 1 x Optical Cable
- 2 x USB Cables
- 2 x Audio Cables
(1 x Xbox 360 1 x Xbox One)
- 1 x User Guide

Setting up your PS3™ via Optical Fig.1

1. First connect your Wireless Transmitter to your PS3 system: connect the optical cable directly into the Wireless Transmitter and the other end into the back of the PS3 system (please ensure that the connector is the correct way around as it will only insert in one position).
2. Then connect the USB connector into any spare port on the PS3 system and the Micro USB connector into the port on the Wireless Transmitter.
3. To connect the Wireless Vibration Headset XT+ to the PS3 system: turn on the power on the PS3 system and the Wireless Transmitter will start flashing red/blue.
4. Then turn on the power on the Wireless Vibration Headset XT+ and the LED's on each ear cup will also start flashing red. To pair: simply hold down the pairing button until you hear a beep on the headset or both LED's on the ear cups and the Wireless Transmitter stop flashing and become a solid red light.

NB: You will also need to change the PS3 system settings to optical:

1. On the PS3 menu go to "Settings" and select > "Accessory Settings" > "Audio Device Settings" > "Input Device" and scroll up/down until "2.4G Wireless Headset" is displayed then repeat this for "Output Device Settings" and press "OK" to confirm.
2. Go back to "Settings" and select

> “Sound Settings” > “Audio Output Settings” and select “Optical Digital”. Then make sure only “AAC” is ticked and not “Dolby Digital” or “DTS”.

Setting up your PS4™ via Optical

Fig.2

1. First connect the Wireless Transmitter to your PS4 system: connect the optical cable directly into the Wireless Transmitter and the other end into the back of the PS4 system (please ensure the connector is the correct way around as it will only insert in one position).
2. Then connect the USB connector into any spare port on the PS4 system and the Micro USB connector into the port on the Wireless Transmitter.
3. To connect the Wireless Vibration Headset XT+ to the PS4 system: turn on the power on the PS4 system and the Wireless Transmitter will start flashing red/blue.
4. Then turn on the power on the Wireless Vibration Headset XT+ and the LED's on each ear cup will also start flashing red. To pair: simply hold down the pairing button until you hear a beep on the headset or both LED's on the ear cups and the Wireless Transmitter stop flashing and become a solid red light.

NB: You will need to change the PS4 system settings to optical:

1. On the PS4™ menu go to “Settings” and select > “Sound and Screen” > “Audio Output

Settings” > “Primary Output Port” > “Digital Out (Optical)” then make sure only “AAC” is ticked and not “Dolby Digital” or “DTS” and press “OK” to confirm.

2. On the “Audio Output Settings” menu select “Audio Format (Priority)” and ensure “Linear PCM” is ticked.
3. Then go back to “Settings” and select > “Devices” > “Audio Devices” > “Output to Headphones” and select “Chat Audio”.

Setting up your Xbox 360® via Optical

Fig.3

1. First connect the Wireless Transmitter to the Xbox 360 system: connect the optical cable directly into the Wireless Transmitter and the other end into the back of the Xbox 360 system (ensure the connector is the correct way around as it will only insert in one position).
2. Then connect the USB connector into any spare port on the Xbox 360 system and the Micro USB connector into the port on the Wireless Transmitter.
3. To connect the Wireless Vibration Headset XT+ to your console: turn on the power on the console and the Wireless Transmitter will start flashing red/blue.
4. Then turn on the power on your Wireless Vibration Headset XT+ and the LED's on each ear cup will also start flashing red. To pair: simply hold down the pairing button until you hear a beep on the headset or both LED's on the ear cups and the Wireless Transmitter stop flashing and

become a solid red light.

5. For chat function, connect the 3.5mm to 2.5mm cable (provided) to your Wireless Headset and the other end into your Xbox 360 controller.

NB: You will need to change your Xbox 360® settings to optical:

1. On the Xbox 360 menu go to “Settings” > “System” > “Console Settings” > “Audio” and select “Digital Output”.
2. For chat connect the Audio Cable (provided) from the Wireless Vibration Headset XT+ to the Xbox 360 controller.

Setting up your Xbox One® via Optical

Fig.4

1. First connect your Wireless Transmitter to the Xbox One system: connect the optical cable directly into the Wireless Transmitter and the other end into the back of the Xbox One system (ensure the connector is the correct way around as it will only insert in one position).
2. Then connect the USB connector into any spare port on the Xbox One system and the Micro USB connector into the port on the Wireless Transmitter.
3. To connect the Wireless Vibration Headset XT+ to your console: turn on the power on your console and the Wireless Transmitter will start flashing red/blue
4. Then turn on the power on your Wireless Vibration Headset XT+ and the LED's on each ear cup will also start flashing red. To pair: simply hold down the pairing button until you hear a beep on

the headset or both LED's on the ear cups and the Wireless Transmitter stop flashing and become a solid red light.

5. For chat first connect an Official Stereo Headset Adaptor (sold separately)
6. Then connect the 3.5mm to 3.5mm cable (provided) to your Wireless Headset and the other end into your Xbox One controller.
7. Connect the 3.5mm to 3.5mm cable (provided) to your Wireless Headset and the other end into your Xbox One controller.

For chat function using a new Xbox One controller which has the direct port.

NB: The headset on the Xbox One system will automatically be recognised as no other set up is needed.

Setting up your PC

Fig.5

1. First connect the Wireless Transmitter to the PC: connect the USB connector into any spare port on the PC and the Micro USB connector into the port on the Wireless Transmitter.
2. To connect the Wireless Vibration Headset XT+ to the PC: turn on the PC's power and the Wireless Transmitter will start flashing red/blue.
3. Then turn on the power on the Wireless Vibration Headset XT+ and the LED's on each ear cup will also start flashing red. To pair: simply hold down the pairing button until you hear a beep on the headset or both LED's on the

ear cups and Wireless Transmitter stop flashing and become a solid red light.

4. No future set up is needed.

Setting up your Mac

Fig.5

1. First connect the Wireless Transmitter to the Mac: connect the USB connector into any spare port on the Mac and the Micro USB connector into the port on the Wireless Transmitter.
2. To connect the Wireless Vibration Headset XT+ to the Mac: turn on the power on the Mac and the Wireless Transmitter will start flashing red/blue.
3. Then turn on the power on the Wireless Vibration Headset XT+ and the LED's on each ear cup will also start flashing red. To pair: simply hold down the pairing button until you hear a beep on the headset or both LED's on the ear cups and the Wireless Transmitter stop flashing and become a solid red light.
4. Then go to "System Preferences" > "Sound".
5. On the "Output" tab select "2.4G Wireless Headset".
6. On the "Input" tab make sure "2.4G Wireless Headset" is also selected.

To charge the Wireless Vibration Headset XT+

1. Connect the Micro USB connector into the port on the Wireless Vibration Headset XT+ and the other end into any USB

device, either a computer or mains adaptor.

2. When charging the indicator is red; when fully charged the light will go out.
3. When charging, please ensure that the Wireless Vibration XT+ power is turned off to reserve power.

Battery Information

Your device is powered by a rechargeable battery. The full performance of a new battery is achieved only after two or three complete charge and discharge cycles. Do not leave a fully charged battery connected to a charger, since overcharging may shorten its lifetime. Do not dispose of batteries in a fire as they may explode. Please dispose of batteries according to local regulations and recycle where possible. Do not dispose as household waste.

Care and Maintenance

Your device is a product of superior design and craftsmanship and should be treated with care. The suggestions below will help you to protect your warranty coverage:

- Keep your device out of the reach of small children.
- Keep the device dry. Precipitation, humidity and all types of liquid or moisture can contain minerals that will corrode electronic circuits. If your device does get wet, allow it to dry completely.
- Do not use or store the device in dusty, dirty areas, as moving parts and electronic components of your device can be damaged.
- Do not use or store the device in hot areas. High temperatures can shorten the life of electronic devices, damage

batteries and warp or melt certain plastics.

- Do not use or store the device in cold areas. When the device returns to its normal temperature, moisture can form inside the device and damage electronic circuit boards.
- Do not drop, knock or shake the device. Rough handling can break internal circuit boards and fine mechanics.
- Do not use harsh chemicals, cleaning solvents or strong detergents to clean the device. All of the previous suggestions apply equally to your device, battery, charger or any enhancements.

Note: parts of the headset are magnetic. Metallic materials may be attracted to the headset. Do not place credit cards or other magnetic storage media near the headset, as information stored on them may be erased. Occasionally the headset may pick up interference from mobile phones.

Helpline Information:

The helpline is a one-to-one live service.

Hours: 9.00am - 5.00pm

Monday to Thursday

9.00am – 4.30pm Friday

Tel: +44 (0) 1763 284181

Email:
customerservice@venomuk.com

Website: www.venomuk.com

To ensure that your call is handled quickly and efficiently please check that you have the model number VS2854 and any other relevant information regarding your product at the time of your call.